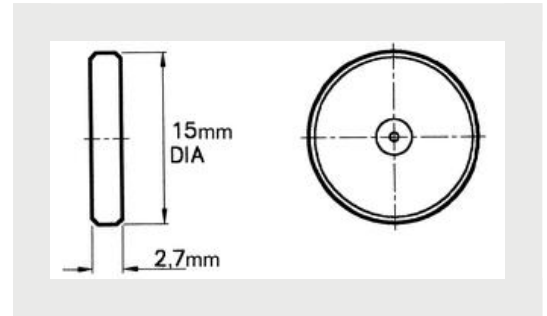


PRE-ORIFICE DISC

INDUSTRIAL SPRAY NOZZLES - AIRLESS

PRE-ORIFICE DISCS

- *The spray quality of most airless tips can be improve with the use of a Delavan Pre-Orifice Discs.*
- *Applications previously considered impractical can now be handled by adding a Delavan Pre-Orifice.*
- *Substantially lower operating pressures can be used without sacrificing spray quality.*
- *Larger Airless Tip sizes may be used at lower pressures, resulting in low flow rates without clogging.*
- *The Pre-Orifice Disc, which is easily installed directly behind the Airless Tip, also serves as a seal, eliminating the need for a separate gasket.*
- *Pre-Orifice Discs are constructed with a Carbide insert mounted in a Stainless Steel housing.*
- Refer to the above chart and that on page H.1 to obtain the recommended Pre-Orifice Disc size.



CAPACITY CHARTS

ORIFICE DIMENSIONS													
DISC NO.	9	11	13	16	20	25	28	31	39	45	55	65	76
ORIFICE DIA. (inches)	0,009	0,011	0,013	0,016	0,020	0,025	0,028	0,031	0,039	0,045	0,055	0,065	0,076